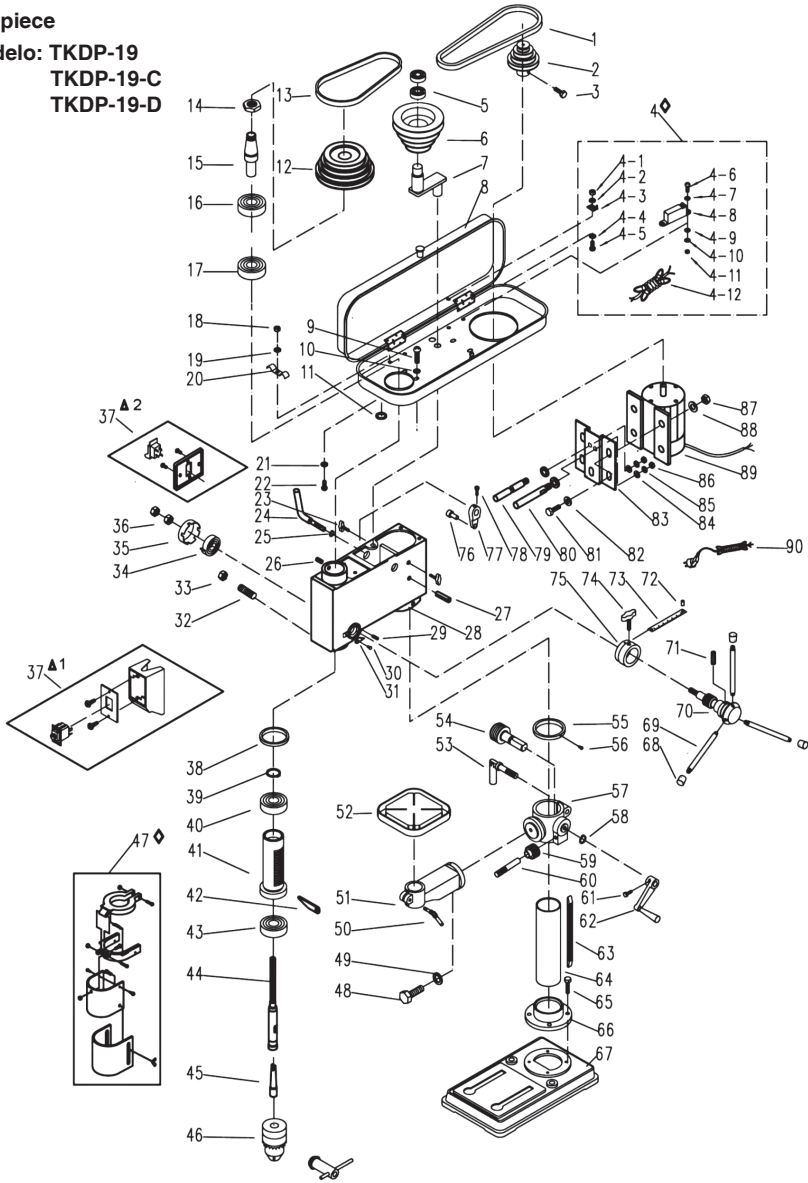


Despiece

Modelo: TKDP-19
TKDP-19-C
TKDP-19-D



Lista de Partes

Modelo: TKDP-19 TKDP-19-C TKDP-19-D

No	Descripción
1	Belt
2	Motor pulley
3	Bolt
4	Micro switch assembly
5	Ball bearing
6	Idler pulley
7	Idler pulley shaft
8	Belt cover
9	Screw
10	Washer
11	Grommet
12	Spindle pulley
13	Belt
14	Nut
15	Upper spindle sleeve
16	Ball bearing
17	Ball bearing
18	Nut
19	Washer
20	Cord line clamp
21	Washer
22	Screw
23	Locking screw
24	Belt tension adjusting handle
25	Retaining ring
26	Set screw
27	Pin
28	Drill press head
29	Pin

No	Descripción
30	Rivet
31	Pointer
32	Set screw
33	Nut
34	Spring
35	Cap cover
36	Nut
37	Switch assembly
38	Rubber bumper
39	Retaining ring
40	Ball bearing
41	Quill
42	Wedge
43	Ball bearing
44	Spindle
45	Arbor
46	Chuck and key
47*	Chuck guard assembly
48	Bolt
49	Washer
50*	Locking handle
51*	Table support
52	Table
53	Locking handle
54	Worm gear
55	Rack retaining ring
56	Set screw
57	Bracket
58	Retaining ring

Lista de Partes**Modelo: TKDP-19 TKDP-19-C TKDP-19-D**

No	Descripción
59	Pinion gear
60	Shaft
61	Bolt
62	Crank handle
63	Rack
64	Column
65	Bolt
66	Collar
67	Base
68	Grip
69	Feed handle
70	Shaft pinion assembly
71	Pin
72	Rivet
73	Depth scale
74	Locking screw

No	Descripción
75	Depth guage
76	Shaft
77	Tension block
78	Screw
79	Motor support shaft A
80	Motor support shaft B
81	Bolt
82	Washer
83	Motor support plate
84	Flat washer
85	Lock washer
86	Nut
87	Washer
88	Nut
89	Motor
90	Cord