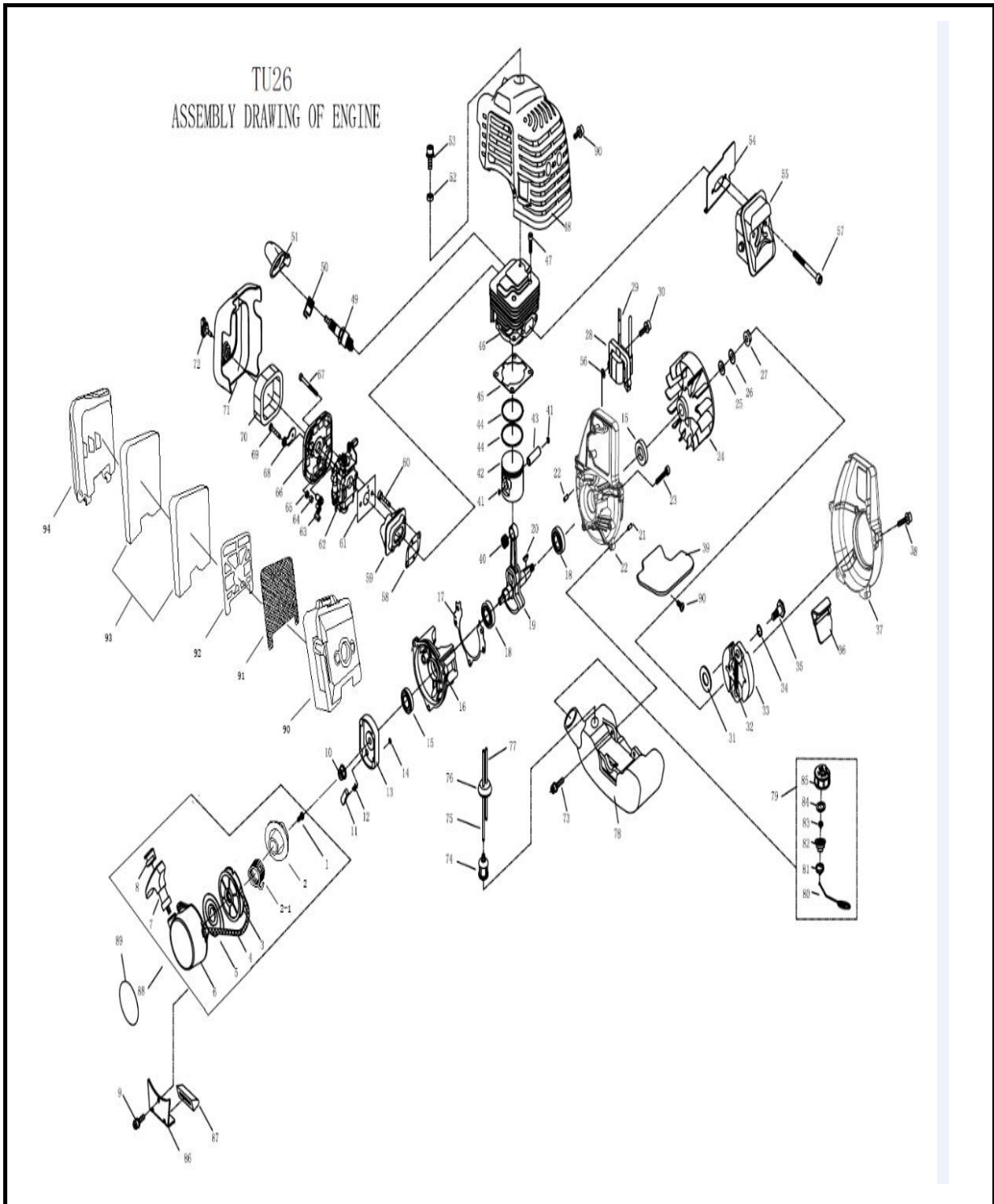


Fumigadora de lanza 26 cc, Motor Mitsubishi Bomba Metalica Pesada

Parte: MOTOR

Código 489591

Modelo ZKS25L



Fumigadora de lanza 26 cc, Motor Mitsubishi Bomba Metalica Pesada

Parte: MOTORCódigo 489591Modelo ZKS25L

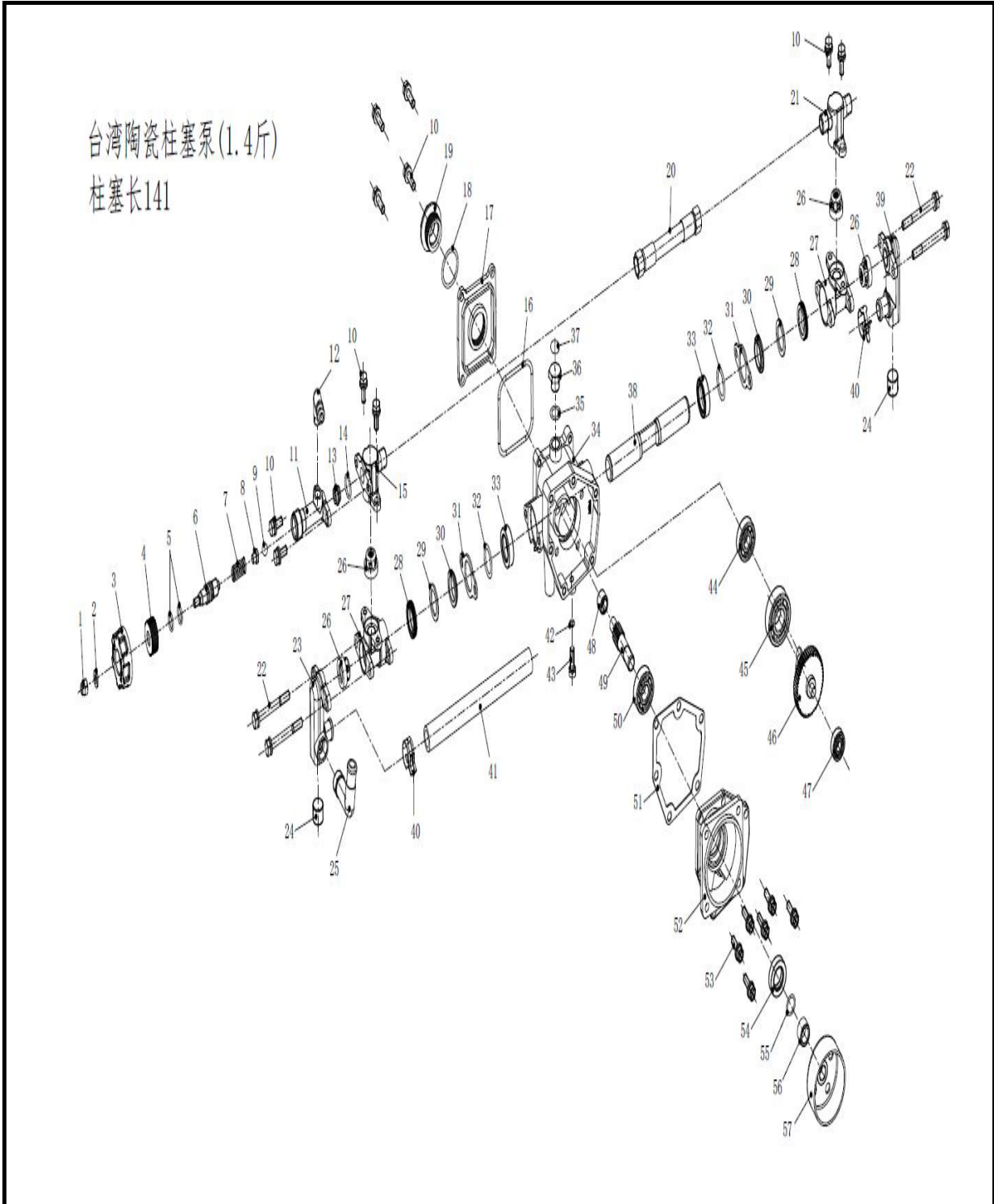
N°	Cód. Savake	Descripción Español	Descripción Ingles	Cant.	Observaciones
40	491613	CANASTILLA TU-26/XKS25L/TF900-A/TF600-A	Bearing		
41	491605	CLIP TU-26/XKS25L/TF900-A/TF600-A	Ring		
42			Piston		
43			Piston pin		
44	491571	ANILLOS TU-26/XKS25L/TF900-A/TF600-A	Piston ring		
45	491563	EMPAQUE CILINDRO TU-26/XKS25L/TF900-A/TF	Gasket of cylinder		
46	491548	CILINDRO TU-26/XKS25L/TF900-A/TF600-A	Cylinder		
47	512772	AMORTIGUADORES PARA F900A XKF25L ZKS25L	Screw for cylinder		
48	492116	TANQUE DE COMBUSTIBLE TU-26/XKS25L/TF900	Guide cover ass'y		
49			Spark plug		
50			Spring		
51			Cover of spark plug		
52+53			Screw m5x16		
54	492132	EMPAQUE SILENCIADOR TU-26/XKS25L/TF900-A	Gasket		
55	492140	SILENCIADOR TU-26/XKS25L/TF900-A/TF600-A	Muffler		
56			No need		
57			Bolt M5X45		
58			Gasket of admitting pipe		
59			Admitting pipe		
60			Screw m5x25		
61			Gasket of carburetor		
62	492157	CARBURADOR TU-26/XKS25L/TF900-A/TF600-A	Carburetor(ruixin h119-00-135)		
63/66+68+69			Inside cover of air cleaning		
67			Screw m5x60		
70			Fan		
71			Outside cover of air cleaning		
72			Screw for air cleaning		
73			Screw for fuel tank		
74			Fuel pipe filter		
75			Fuel pipe(suction)		
76			Fuel plug		
77			Fuel pipe(overflow)		
78			Fuel tank		
79			Fuel tank cover		

Fumigadora de lanza 26 cc, Motor Mitsubishi Bomba Metalica Pesada

Parte: BOMBA

Código 489591

Modelo ZKS25L



Fumigadora de lanza 26 cc, Motor Mitsubishi Bomba Metalica Pesada

Parte: BOMBACódigo 489591 Modelo ZKS25L

N°	Cód. Savake	Descripción Español	Descripción Ingles	Cant.	Observaciones
1			Nut		
2			washer		
3			pressure adjusting wheel		
4			Nut brass		
5			O ring 13X1.9		
6			Pressure valve rod		
7			spring		
8			spring seat		
9			Valve ball		
10			screw M6X14		
11			pressure valve case		
12			overflow connector brass		
13			Valve seat		
14			O ring 14X1.9		
15			outlet chamber single		
16			O ring 60X3.5		
17			cover of crankcase		
18			O ring 30X22.5		
19			oil glass		
20			outlet pressure hose		
21			outlet chamber double		
22			bolt		
23			suction metal double		
24			plug nylon		
25			suction connetor brass		
26			valve assy		
27			cylinder without hole		
28			packing seat brass		
29			seal		
29-1			seal		
30			grand		
31			fixed plate		
32			O ring 22X2.4		
33			oil seal 18X28X8		
34			crankcase		
35			O ring 15X1.9		
36			screw for add oil		
37			label		
38			plunger		
39			suction metal single		
40			clip		
41			hose black		
42			O ring 9X1.9		

Fumigadora de lanza 26 cc, Motor Mitsubishi Bomba Metalica Pesada

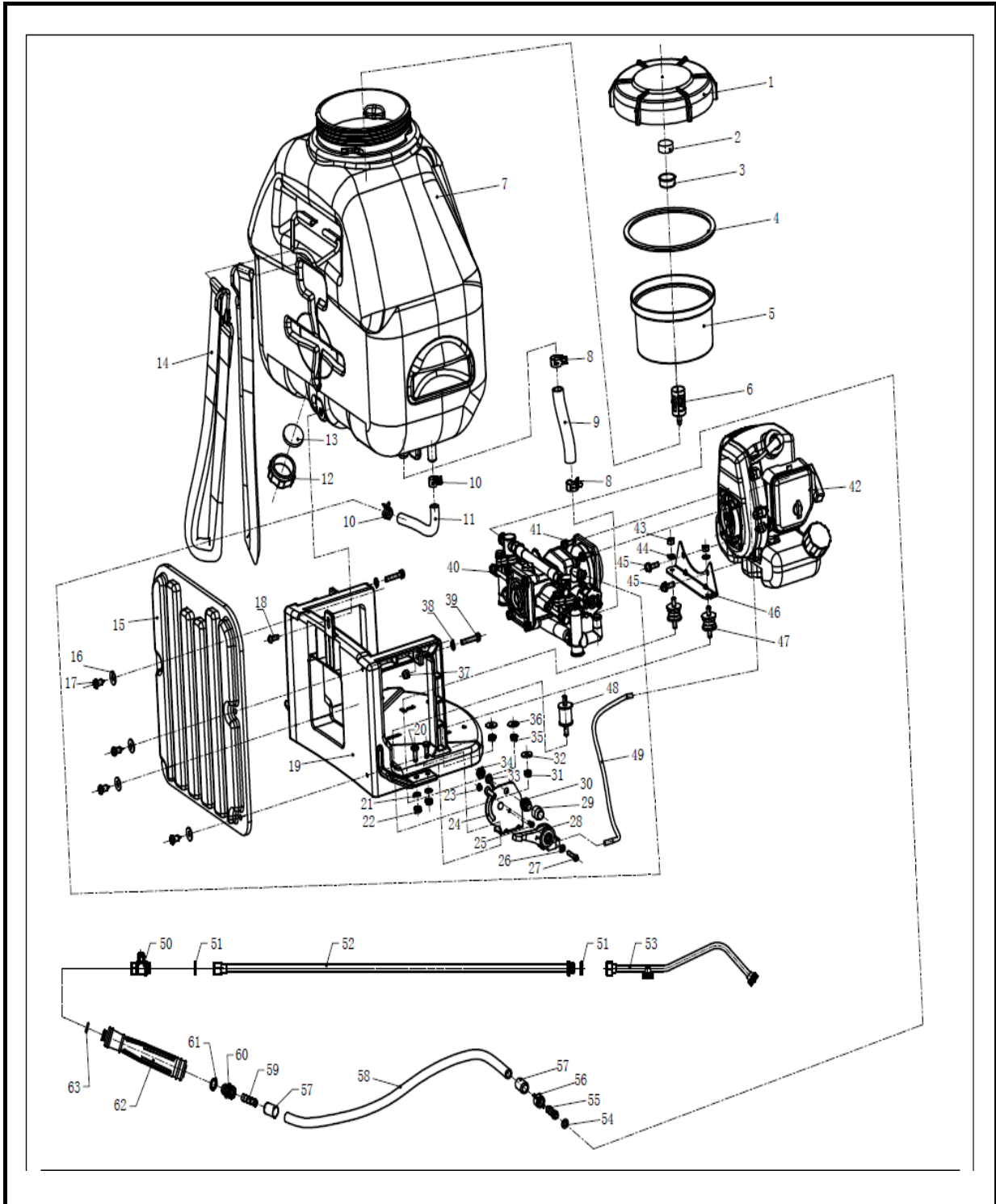
Parte: BOMBACódigo 489591Modelo ZKS25L

N°	Cód. Savake	Descripción Español	Descripción Ingles	Cant.	Observaciones
43			screw for take off oil		
44			bearing 6200		
45			bearing 6203		
46			gear		
47			bearing 608		
48			bearing		
49			gear shaft		
50			bearing 6201		
51			gasket		
52			drum case		
53			bolt M6X16		
54			Oil seal 17X28X8		
55			O ring 15X1.9		
56			Pipe		
57			clutch drum for 2 stroke		
-	518050	BOMBA LIBRE MANTENIMIENTO PARA FUMIGADORA ZKS25L	Pump complete	1	

Fumigadora de lanza 26 cc, Motor Mitsubishi Bomba Metalica Pesada
 Parte: FUMIGADORA

Código 489591

Modelo ZKS25L



Fumigadora de lanza 26 cc, Motor Mitsubishi Bomba Metalica Pesada

 Parte: FUMIGADORA

 Código 489591

 Modelo ZKS25L

Nº	Cód. Savake	Descripción Español	Descripción Ingles	Cant.	Observaciones
1+2+3	509117	TAPA TANQUE QUIM TF900-A/ XKS25L/ ZKS25L	Container cover		
4			Gasket		
5	511360	FILTRO QUIMICO P/TF-900- A/XKS25L/ZKS25L	Filter		
6			small filter in the tank		
7	501627	TANQUE QUIMICO TF900-A/ XKS25L/ ZKS25L	Chemical container with Chain holder 900		
8			Clip-L(suction hose)		
9			suction hose		
10			Clip-S(overflow hose)		
11			overflow hose with spring		
12	511345	TAPA DEL DRENAJE TF-900- A/XKS25L/ZKS25L	Drain cup		
13			gasket for drain cup		
14	511329	CORREAS JUEGO TF-900- A/XKS25L/ZKS25L	Strap (one set = 2pcs)		
15	511352	ESPALDAR PARA TF-900- A/XKS25L/ZKS25L	Pad for 900		
16			NO NEED		
17			screw M6X16 for stand pad		
18			screw M6X12 for tank		
19			frame complete		
20+21+2 2			screw M6X16, 06 gasket and nut M6 for fixed plate		
23+24+2 5+26+27 +28+29+ 30+31+3 2+33+34			plate complete		
24			plate		
28	474148	GATILLO ACELERACION TF900A/XKS25L/ZKS25L	Flex accelerator		
30			Cord comp		
35			nut		
36			gasket		
37			nut		
38			NO NEED		
39			screw M6X16 for stand		
40			brass pump for 2 stroke free oil		
41			screw M5X14 of engine		
42			engine Japan Mitsubishi TU26		
43			nut		
44			gasket		
45			screw M6X16 for stand		
46			engine stand		

Fumigadora de lanza 26 cc, Motor Mitsubishi Bomba Metalica Pesada

Parte: FUMIGADORACódigo 489591Modelo ZKS25L

N°	Cód. Savake	Descripción Español	Descripción Ingles	Cant.	Observaciones
47	512772	AMORTIGUADORES PARA F900A XKF25L ZKS25L	joint-S		
48			Joint-L		
49	474155	GUAYA DE ACELERACION TF900A/XKS25L/ZKS25	Cable comp		
50			outlet cock		
51			gasket for outlet cock		
52	474486	TUBO DESCARGA P/TF900A/XKS25L/ZKS25L	sprayer rod		
53	511386	BOQUILLA METALICA P/TF900A/XKS25L/ZKS25L	2 nozzle gun		
54+55+56			female hose connector		
57			hose pipe		
58	511378	MANGUERA DESCARGA P/TF900A/XKS25L/ZKS25L	1.5m hose		
59+60+61			male hose connector		
62	472035	MANGO DE AGARRE P/TF900A/XKS25L/ZKS25L	handle		
63			gasket for handle		