

PARTS LIST

MBS420

MIC

CONTENTS

| | |
|--------------------------------|--------|
| 1• MAIN BODY | 1~ 2 |
| 2• SUPPORT FRAME | 3~ 4 |
| 3• GEARCASE | 5~ 6 |
| 4• ENGINE | 7~ 10 |
| 5• CARBURETOR, FUEL TANK | 11~ 12 |
| 6• ACCESSORIES | 13~ 14 |

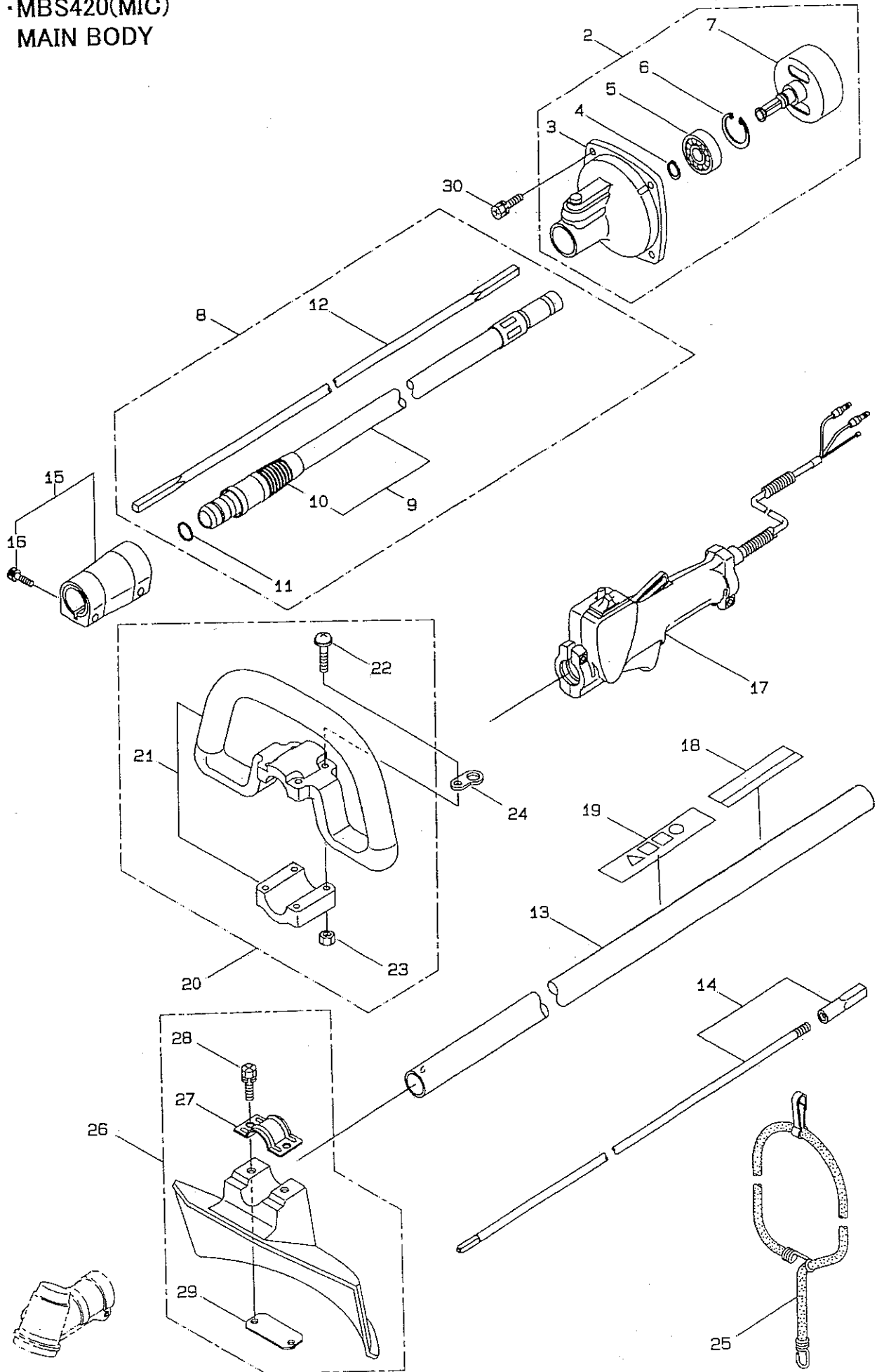
2004.3.



MARUYAMA

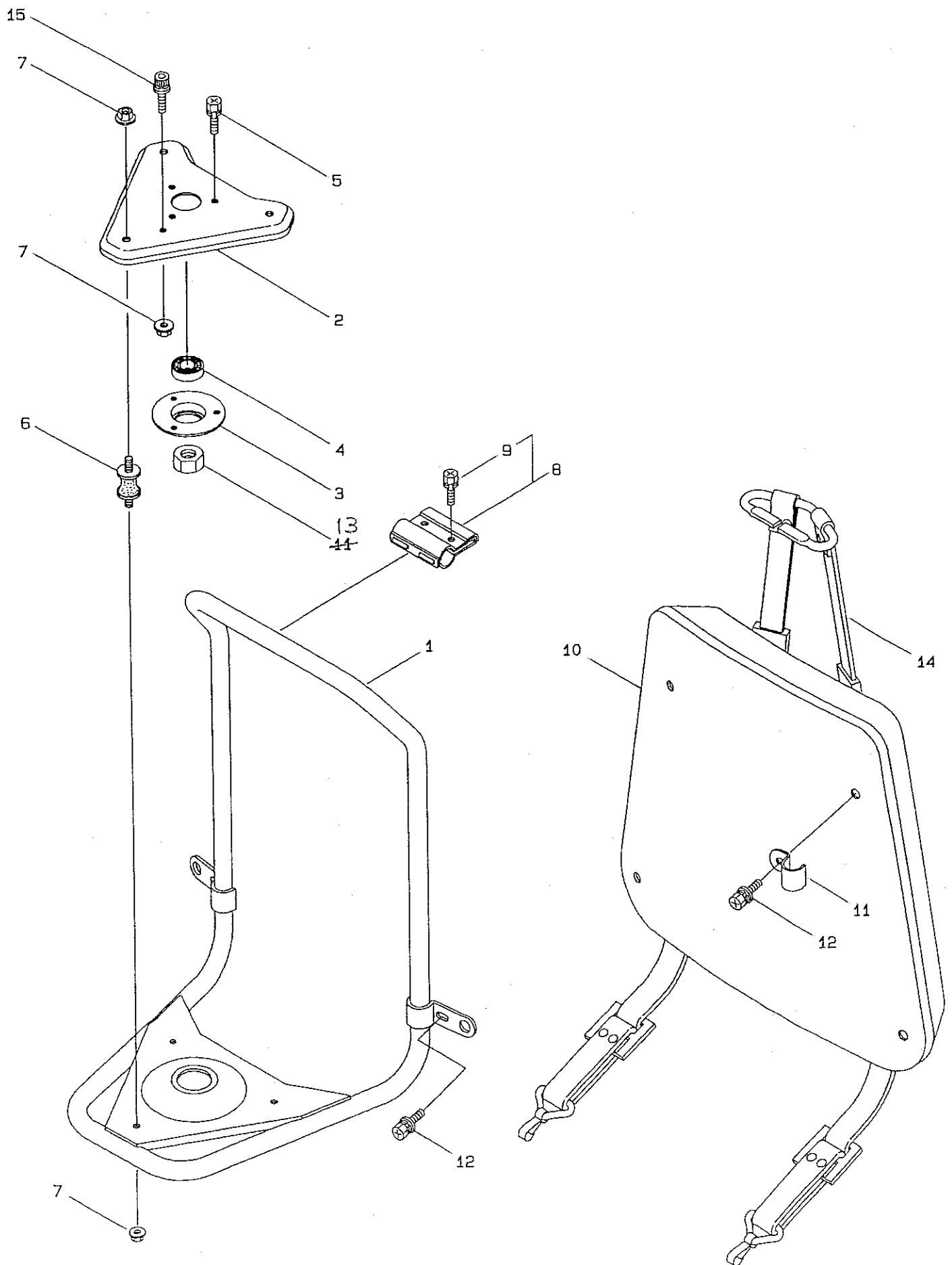
P/N 521799

1·MBS420(MIC)
MAIN BODY



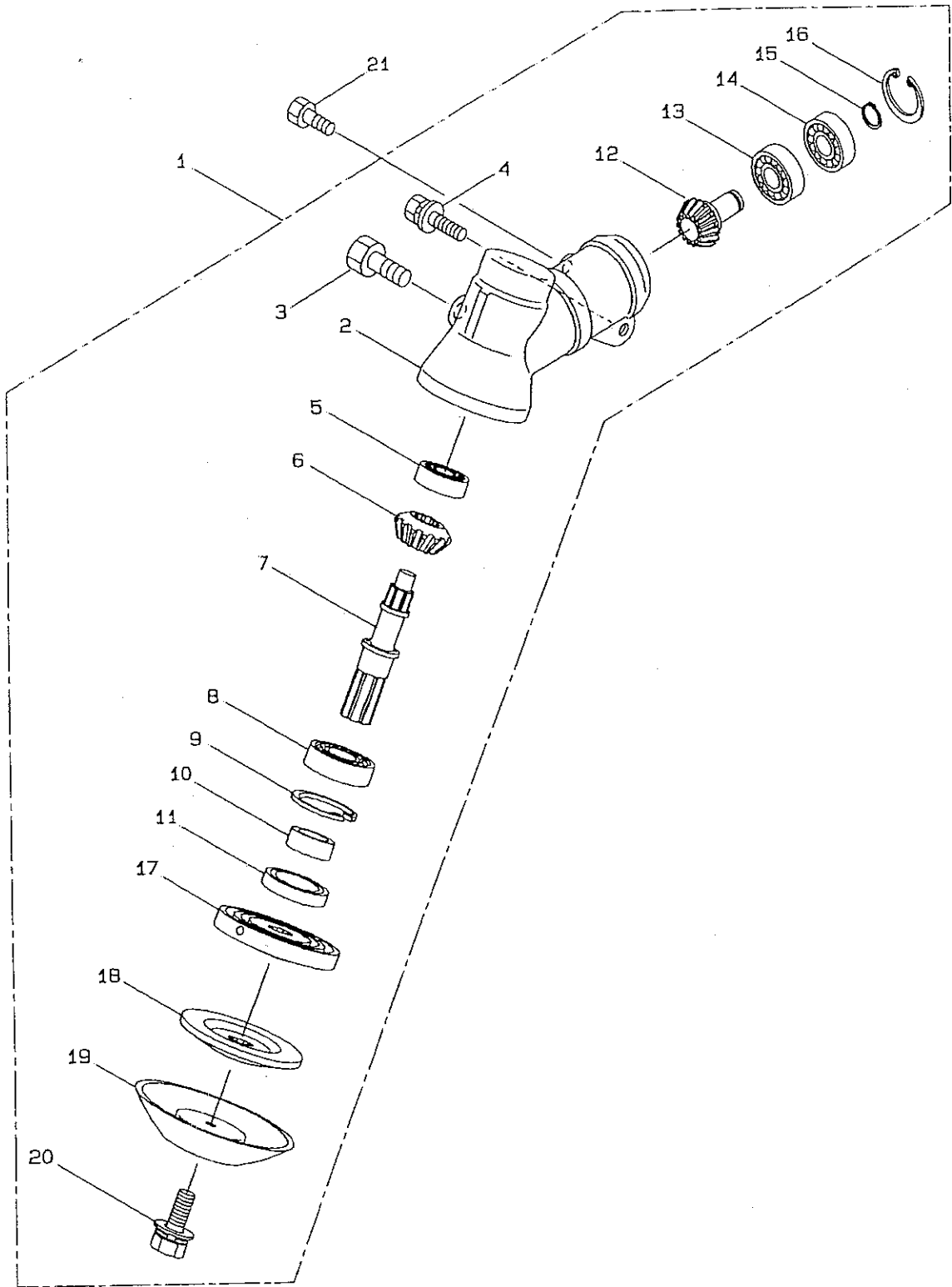
| Ref.No. | Part No. | Part Name | Q'ty | Remarks |
|---------|----------|-------------------|------|------------|
| 1-1 | 363025 | MBS420 | 1 | MIC |
| 1-2 | 222416 | Clutch Case Ass'y | 1 | Incl.3-7 |
| 1-3 | 222085 | Clutch Case | 1 | |
| 1-4 | 550118 | Snap Ring | 1 | WR15 |
| 1-5 | 222442 | Bearing | 1 | #6202 2RS |
| 1-6 | 012380 | Snap Ring | 1 | #35 |
| 1-7 | 220336 | Clutch Drum | 1 | |
| 1-8 | 222530 | Outer Ass'y | 1 | Incl.9-12 |
| 1-9 | 222531 | Outer | 1 | Incl.10 |
| 1-10 | 215885 | Cover | 1 | |
| 1-11 | 011338 | O-Ring | 1 | P18 |
| 1-12 | 211895 | Inner Shaft | 1 | |
| 1-13 | 224125 | Driveshaft Tube | 1 | |
| 1-14 | 216965 | Driveshaft Ass'y | 1 | |
| 1-15 | 215730 | Joint Pipe Ass'y | 1 | Incl.16 |
| 1-16 | 087786 | Cap Screw | 2 | M5x25 |
| 1-17 | 223155 | Throttle Trigger | 1 | |
| 1-18 | 219704 | Label | 1 | MBS420 |
| 1-19 | 213750 | Label | 1 | Caution |
| 1-20 | 214666 | Loop Handle Ass'y | 1 | Incl.21-23 |
| 1-21 | 214982 | Loop Handle | 1 | |
| 1-22 | 222142 | Screw | 4 | M5x28 |
| 1-23 | 081027 | Nut | 4 | M5 |
| 1-24 | 212491 | Stay | 1 | |
| 1-25 | 210400 | Band | 1 | |
| 1-26 | 222303 | Blade Guard Ass'y | 1 | Incl.27-29 |
| 1-27 | 210312 | Bracket | 1 | |
| 1-28 | 092555 | Bolt | 2 | M6x30 |
| 1-29 | 210313 | Threaded Bracket | 1 | |
| 1-30 | 092552 | Bolt | 4 | M6x20 |

2·MBS420(MIC) SUPPORT FRAME



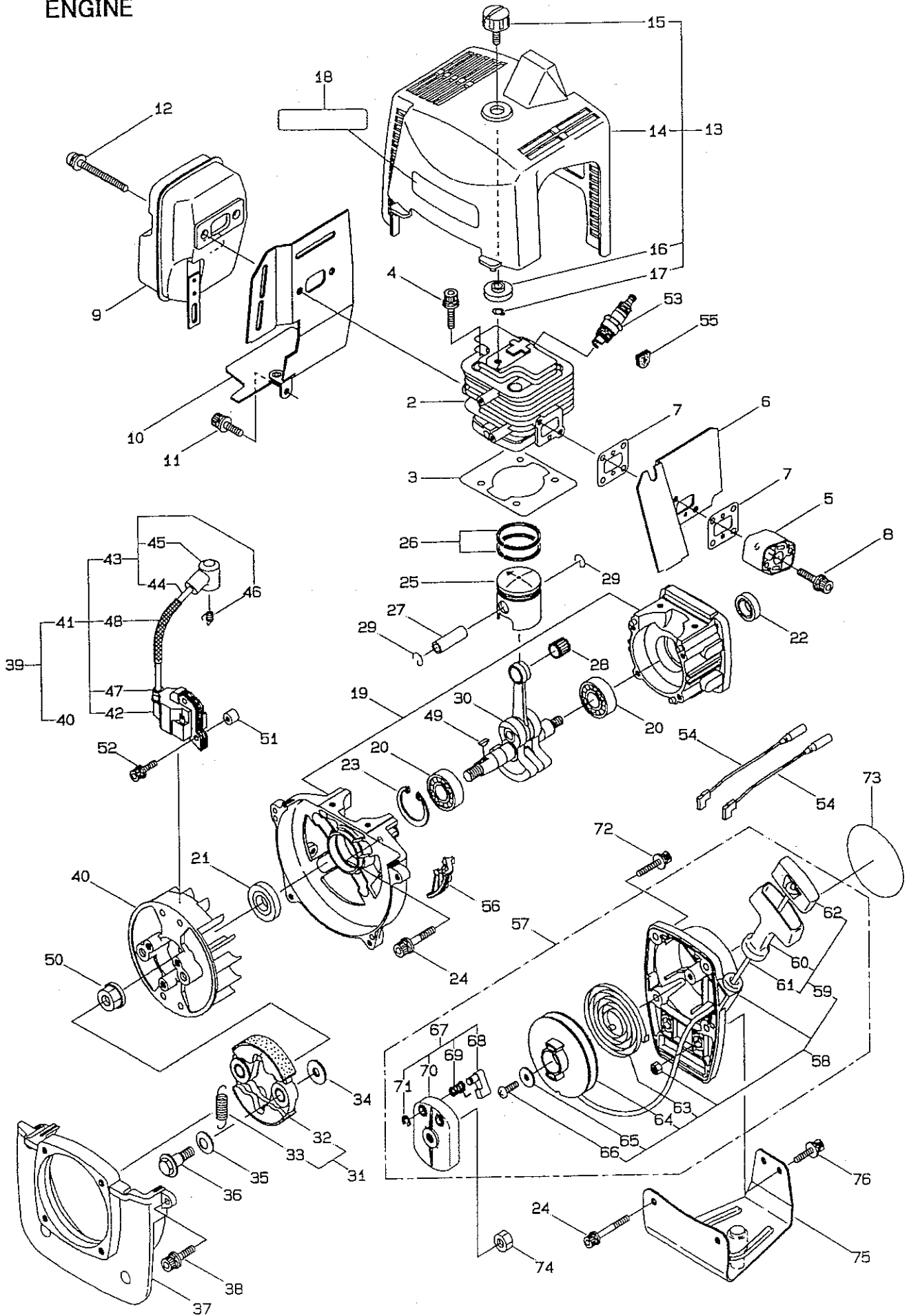
| Ref.No. | Part No. | Part Name | Q'ty | Remarks |
|---------|----------|-----------------------|------|---------|
| 2-1 | 218153 | Support Frame | 1 | |
| 2-2 | 223669 | Turn Bracket | 1 | |
| 2-3 | 211644 | Bearing Case | 1 | |
| 2-4 | 220619 | Bearing | 1 | #6001UU |
| 2-5 | 092578 | Bolt | 3 | M5x10 |
| 2-6 | 226783 | Buffer | 3 | |
| 2-7 | 219959 | Nut | 7 | M6 |
| 2-8 | 211969 | Hanging Bracket Ass'y | 1 | Incl.9 |
| 2-9 | 092579 | Bolt | 2 | M5x12 |
| 2-10 | 214498 | Pad | 1 | |
| 2-11 | 210968 | Bracket | 2 | |
| 2-12 | 092580 | Bolt | 4 | M5x12 |
| 2-13 | 084020 | Nut | 1 | M12 |
| 2-14 | 211650 | Knapsack Belt | 1 | |
| 2-15 | 223704 | Cap Screw | 1 | M6x12 |

3·MBS420(MIC)
GEARCASE



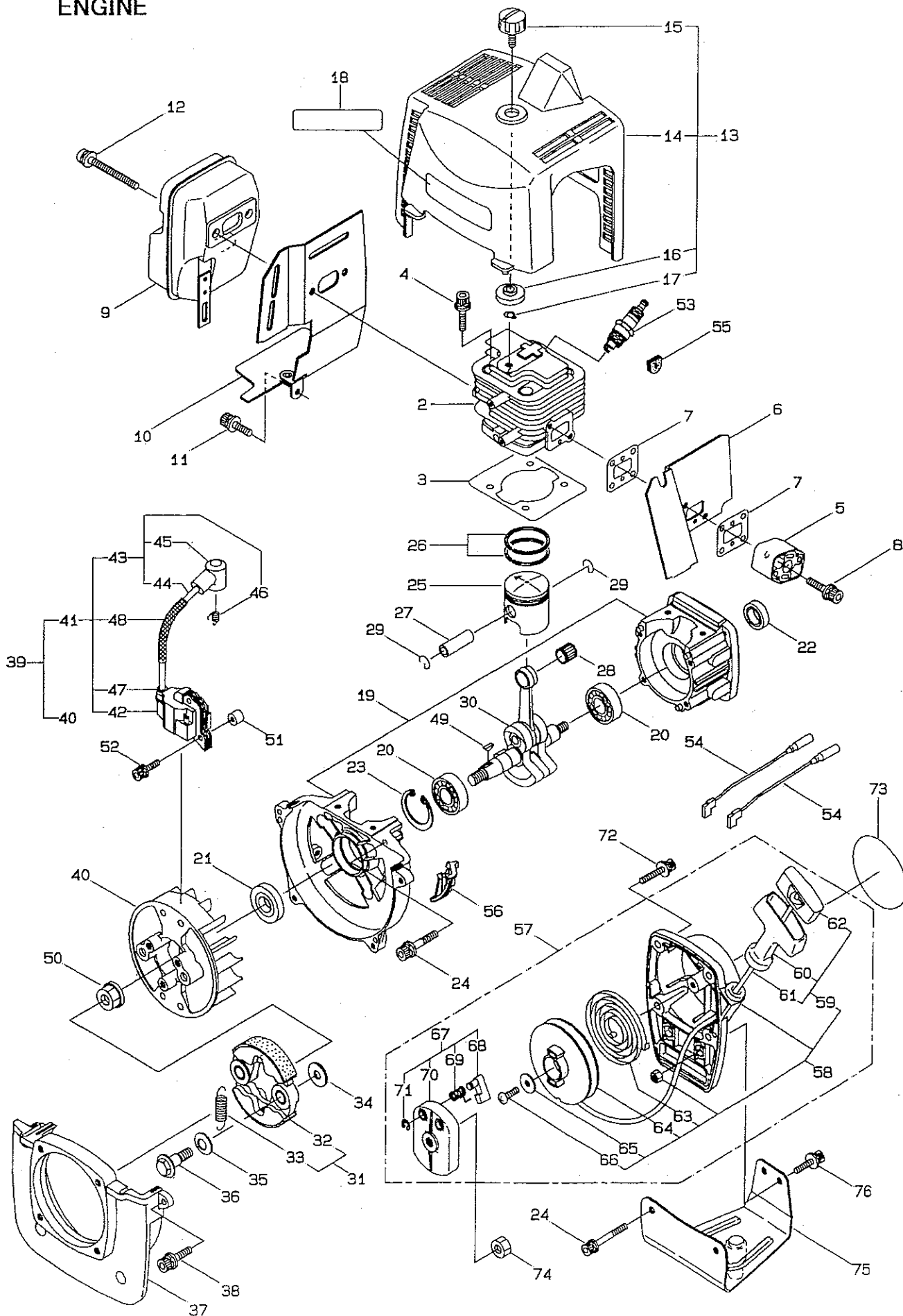
| Ref.No. | Part No. | Part Name | Q'ty | Remarks |
|---------|----------|-----------------|------|------------------------|
| 3-1 | 226739 | Gearcase Ass'y | 1 | Incl.2-20 |
| 3-2 | 223050 | Gearcase | 1 | |
| 3-3 | 089845 | Bolt | 1 | M8x10 |
| 3-4 | 092556 | Bolt | 1 | M6x30 |
| 3-5 | 210560 | Bearing | 1 | #609 |
| 3-6 | 211698 | Gear | 1 | |
| 3-7 | 217057 | Blade Shaft | 1 | |
| 3-8 | 022009 | Bearing | 1 | #6002 |
| 3-9 | 016732 | Snap Ring | 1 | #32 |
| 3-10 | 212394 | Collar | 1 | 15x22x8L |
| 3-11 | 211818 | Oil Seal | 1 | D22 32 6 |
| 3-12 | 211695 | Pinion Gear | 1 | |
| 3-13 | 014490 | Bearing | 1 | #6000 |
| 3-14 | 106933 | Bearing | 1 | #6000Z |
| 3-15 | 014210 | Snap Ring | 1 | #10 |
| 3-16 | 054676 | Snap Ring | 1 | #26 |
| 3-17 | 217060 | Boss Adapter | 1 | |
| 3-18 | 217061 | Clamping Washer | 1 | |
| 3-19 | 210308 | Stabilizer | 1 | |
| 3-20 | 226722 | Bolt | 1 | M8x22,Counterclockwise |
| 3-21 | 089747 | Bolt | 1 | M6x12 |

4-MBS420(MIC)
ENGINE



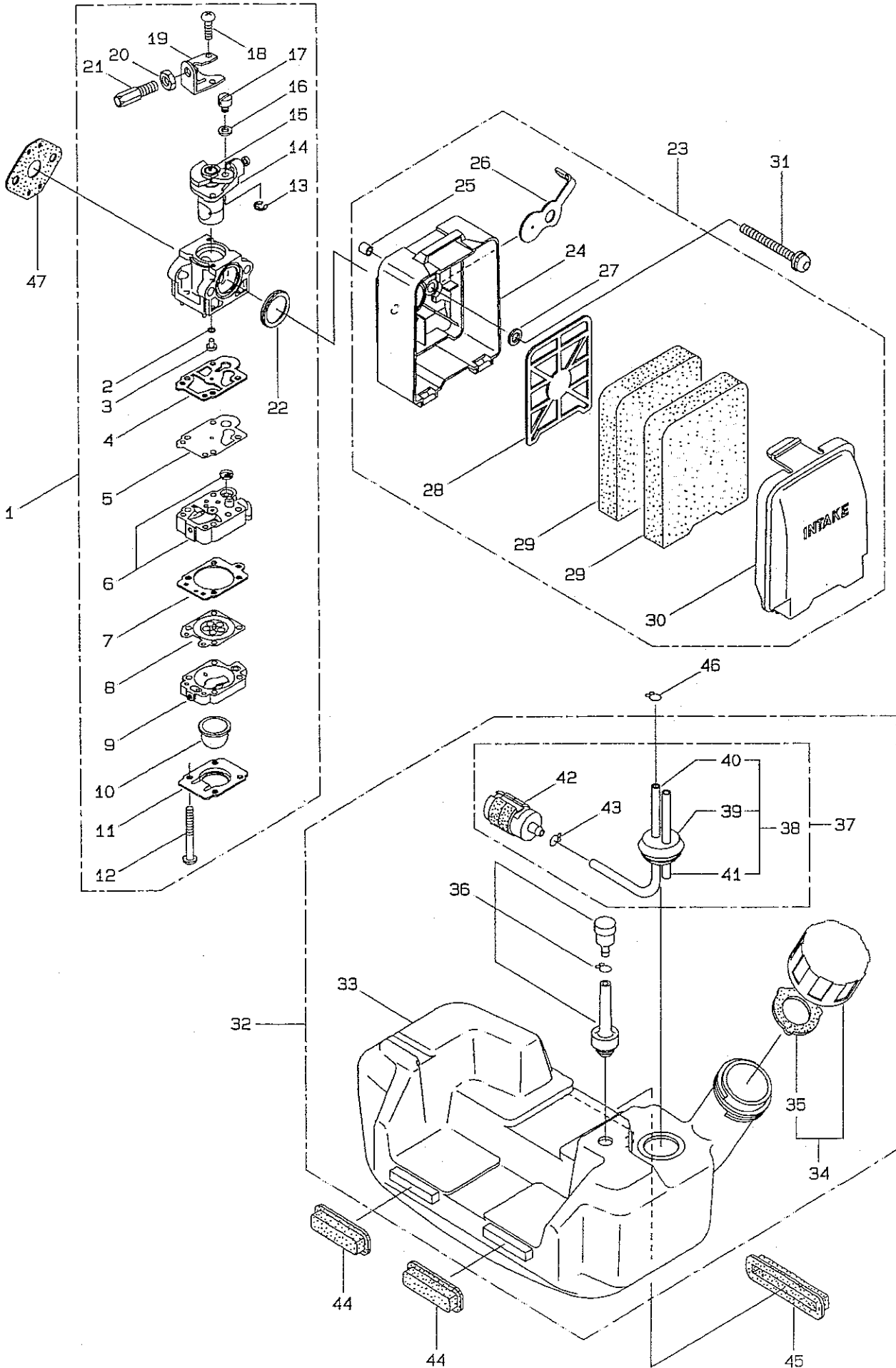
| Ref.No. | Part No. | Part Name | Q'ty | Remarks |
|---------|----------|---------------------------|------|---------------------|
| 4-1 | 850796 | Engine | 1 | AE420/53 |
| 4-2 | 262544 | Cylinder | 1 | New gasket required |
| 4-3 | 262546 | Gasket | 1 | |
| 4-4 | 261246 | Cap Screw | 4 | M5x25 |
| 4-5 | 262548 | Insulator | 1 | New gasket required |
| 4-6 | 262550 | Air Duct | 1 | |
| 4-7 | 262790 | Gasket | 2 | |
| 4-8 | 265924 | Cap Screw | 2 | M5x25 |
| 4-9 | 267964 | Muffler Ass'y | 1 | |
| 4-10 | 262617 | Gasket | 1 | |
| 4-11 | 261607 | Cap Screw | 1 | M5x16 |
| 4-12 | 262687 | Cap Screw | 2 | M6x65 |
| 4-13 | 265342 | Top Cover Ass'y | 1 | Incl 14-17 |
| 4-14 | 265343 | Top Cover | 1 | New label required |
| 4-15 | 262556 | Knob | 1 | |
| 4-16 | 262689 | Spacer | 1 | |
| 4-17 | 262690 | Snap Ring | 1 | #6 |
| 4-18 | 262714 | Label | 1 | MARUYAMA |
| 4-19 | 262558 | Crankcase | 1 | |
| 4-20 | 262658 | Bearing | 2 | #6202C3 |
| 4-21 | 262660 | Oil Seal | 1 | TC15357 |
| 4-22 | 262565 | Oil Seal | 1 | ISCD15257 |
| 4-23 | 012380 | Snap Ring | 1 | #35 |
| 4-24 | 261999 | Cap Screw | 6 | M5x40 |
| 4-25 | 265227 | Piston | 1 | |
| 4-26 | 262476 | Piston Ring | 2 | (2)Required |
| 4-27 | 262749 | Piston Pin | 1 | |
| 4-28 | 262659 | Bearing,Needle | 1 | KTV111414EG01B2 |
| 4-29 | 262479 | Clip,Piston Pin | 2 | |
| 4-30 | 262567 | Crankshaft/Conn.Rod Ass'y | 1 | |
| 4-31 | 262577 | Clutch Ass'y | 1 | Incl 32,33 |
| 4-32 | 262655 | Clutch Shoe | 2 | (2)Required |
| 4-33 | 263615 | Spring,Clutch | 1 | |
| 4-34 | 262683 | Washer | 2 | 8x22xt1.2 |
| 4-35 | 262682 | Wave Washer | 2 | |
| 4-36 | 262684 | Clutch Bolt | 2 | M8 |
| 4-37 | 264388 | Fan Cover | 1 | |
| 4-38 | 261250 | Cap Screw | 2 | M5x20 |
| 4-39 | 267577 | Magneto Ass'y | 1 | Incl 40-48 |
| 4-40 | 264673 | Rotor/Fan | 1 | |
| 4-41 | 267580 | Ignition Coil Ass'y | 1 | Incl 42-48 |
| 4-42 | 267582 | Coil | 1 | |
| 4-43 | 267584 | Spark Plug Wire Ass'y | 1 | Incl 44-46 |
| 4-44 | 267585 | Spark Plug Wire | 1 | |
| 4-45 | 261074 | Plug Boot | 1 | |

4-MBS420(MIC) ENGINE



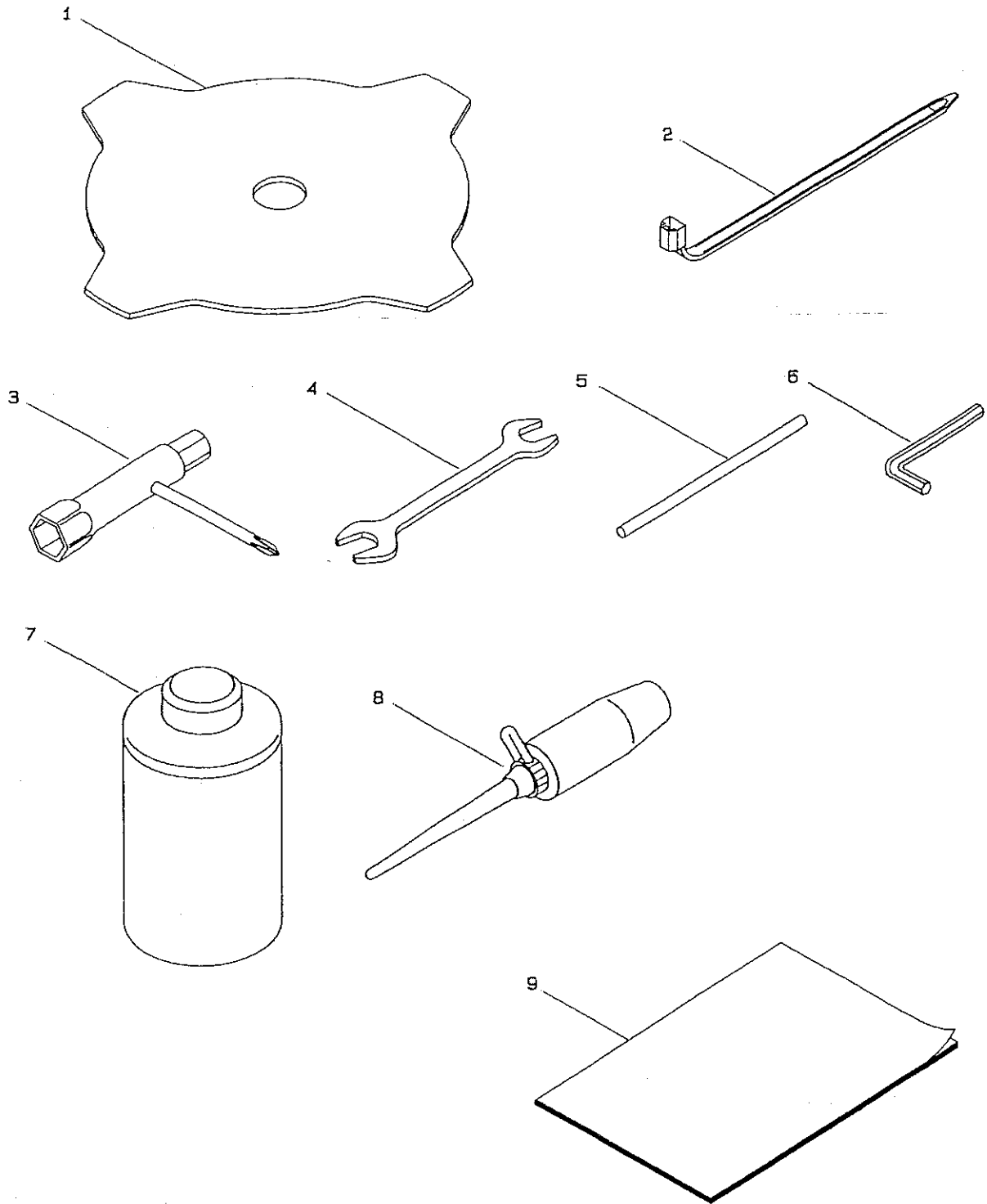
| Ref.No. | Part No. | Part Name | Q'ty | Remarks |
|---------|----------|----------------------|------|----------------|
| 4-46 | 261075 | Connector | 1 | |
| 4-47 | 261072 | Cap | 1 | |
| 4-48 | 269421 | Insulator | 1 | |
| 4-49 | 261076 | Woodruff Key | 1 | 3x10 |
| 4-50 | 262731 | Nut,Rotor | 1 | M10 |
| 4-51 | 268380 | Spacer | 2 | |
| 4-52 | 261256 | Cap Screw | 2 | M4x25 |
| 4-53 | 261200 | Spark Plug | 1 | NGK BPM6Y |
| 4-54 | 267519 | Wire, Lead | 2 | |
| 4-55 | 261202 | Grommet | 1 | |
| 4-56 | 265459 | Screen | 1 | |
| 4-57 | 263525 | Recoil Starter Ass'y | 1 | Incl.58-71 |
| 4-58 | 263526 | Recoil Ass'y | 1 | Incl.59-66 |
| 4-59 | 262631 | Rope Ass'y | 1 | Incl.60-62 |
| 4-60 | 262633 | Starter Grip | 1 | |
| 4-61 | 262632 | Starter Rope | 1 | |
| 4-62 | 262981 | Cap | 1 | |
| 4-63 | 262627 | Spiral Spring | 1 | |
| 4-64 | 262626 | Pulley | 1 | |
| 4-65 | 262982 | Washer | 1 | |
| 4-66 | 262629 | Screw | 1 | |
| 4-67 | 262634 | Starter Pawl Ass'y | 1 | Incl.68-71 |
| 4-68 | 262636 | Pawl | 1 | |
| 4-69 | 262637 | Return Spring | 1 | |
| 4-70 | 262635 | Pawl Case | 1 | |
| 4-71 | 262638 | E-Ring | 1 | |
| 4-72 | 261257 | Cap Screw | 4 | M4x16 |
| 4-73 | 280777 | Label | 1 | MARUYAMA AE420 |
| 4-74 | 081040 | Nut | 1 | M8 |
| 4-75 | 268820 | Bracket | 1 | |
| 4-76 | 261607 | Cap Screw | 2 | M5x16 |

5-MBS420(MIC)
 CARBURETOR, FUEL TANK



| Ref.No. | Part No. | Part Name | Q'ty | Remarks |
|---------|----------|-------------------------|------|------------|
| 5-1 | 280319 | Carburetor Ass'y | 1 | Incl.2-22 |
| 5-2 | 261871 | O-Ring | 1 | |
| 5-3 | 263967 | Main Jet | 1 | #48 |
| 5-4 | 262995 | Gasket | 1 | |
| 5-5 | 262994 | Diaphragm,Fuel Pump | 1 | |
| 5-6 | 263739 | Pump Body | 1 | |
| 5-7 | 262993 | Gasket | 1 | |
| 5-8 | 261873 | Diaphragm,Metering | 1 | |
| 5-9 | 262991 | Purge Body | 1 | |
| 5-10 | 261874 | Primer Bulb | 1 | |
| 5-11 | 262992 | Cover Plate | 1 | |
| 5-12 | 262996 | Screw | 4 | |
| 5-13 | 261876 | E-Ring | 1 | |
| 5-14 | 264676 | Throttle Valve | 1 | |
| 5-15 | 261652 | Plug | 1 | |
| 5-16 | 264678 | Washer | 1 | |
| 5-17 | 261658 | Swivel | 1 | |
| 5-18 | 261875 | Screw | 2 | |
| 5-19 | 264677 | Bracket | 1 | |
| 5-20 | 261878 | Nut | 1 | |
| 5-21 | 263994 | Adapter | 1 | |
| 5-22 | 261657 | Packing | 1 | |
| 5-23 | 263520 | Air Filter Ass'y | 1 | Incl.24-30 |
| 5-24 | 263723 | Housing | 1 | |
| 5-25 | 263715 | Sleeve | 2 | |
| 5-26 | 263007 | Choke Valve | 1 | |
| 5-27 | 263000 | Washer | 1 | |
| 5-28 | 263717 | Screen | 1 | |
| 5-29 | 263714 | Foam Element | 2 | |
| 5-30 | 263713 | Air Filter Cover | 1 | |
| 5-31 | 261814 | Cap Screw | 2 | M5x50 |
| 5-32 | 264761 | Fuel Tank Ass'y | 1 | Incl.33-43 |
| 5-33 | 264760 | Fuel Tank | 1 | |
| 5-34 | 261584 | Fuel Tank Cap Ass'y | 1 | Incl.35 |
| 5-35 | 261105 | Gasket | 1 | |
| 5-36 | 261696 | Breather Ass'y | 1 | |
| 5-37 | 262645 | Fuel Pipe Pick-up Ass'y | 1 | Incl.38-43 |
| 5-38 | 262646 | Fuel Pipe Ass'y | 1 | Incl.39-41 |
| 5-39 | 261115 | Grommet | 1 | |
| 5-40 | 262649 | Fuel Pipe | 1 | |
| 5-41 | 263038 | Return Pipe | 1 | 3x6x85L |
| 5-42 | 267328 | Fuel Filter Ass'y | 1 | |
| 5-43 | 261117 | Clip | 1 | |
| 5-44 | 261119 | Pad | 2 | |
| 5-45 | 262697 | Pad | 1 | |
| 5-46 | 261117 | Clip | 1 | |
| 5-47 | 262587 | Gasket | 1 | |

6-MBS420(MIC)
ACCESSORIES



| Ref.No. | Part No. | Part Name | Q'ty | Remarks |
|---------|----------|----------------------|------|-----------|
| 6-1 | 054751 | Mowing Blade | 1 | 255x4 |
| 6-2 | 220548 | Band | 2 | |
| 6-3 | 210418 | Box Spanner | 1 | 13x19x(+) |
| 6-4 | 022865 | Double-ended Wrench | 1 | 8x10 |
| 6-5 | 210181 | Lever Handle | 1 | 3.5x170L |
| 6-6 | 219432 | Wrench | 1 | 4mm |
| 6-7 | 022540 | Fuel Blending Bottle | 1 | |
| 6-8 | 211337 | Grease Tube | 1 | |
| 6-9 | 226451 | Instruction Manual | 1 | MBS420 |