

# PARTS LIST

MS657

## CONTENTS

1. CRANKCASE, SUCTION VALVE .....	1
2. PURESSURE REGULATOR VALVE.....	5
3. ACCESSORIES .....	9

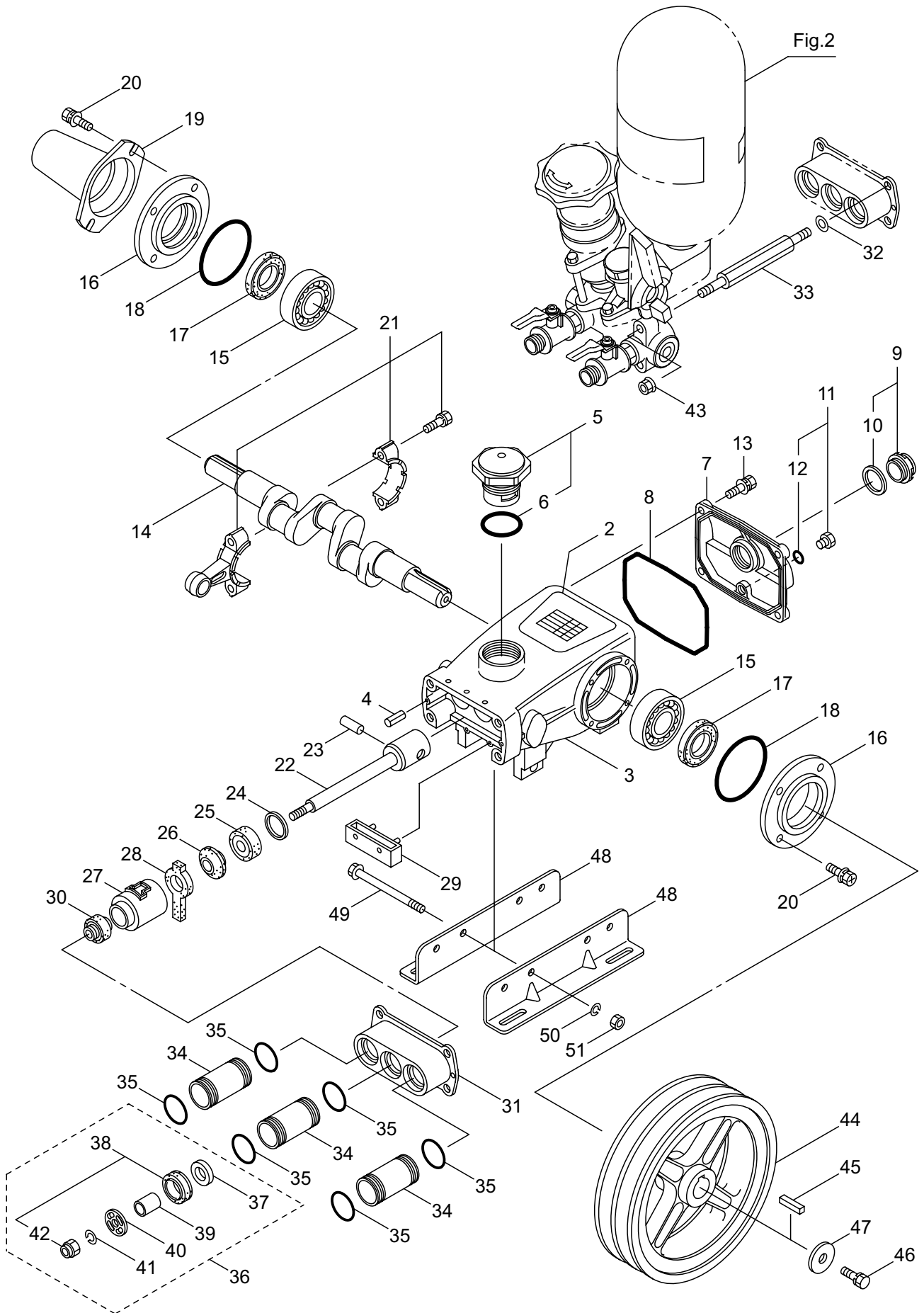
2022. 01.



P/N 525336

MS657

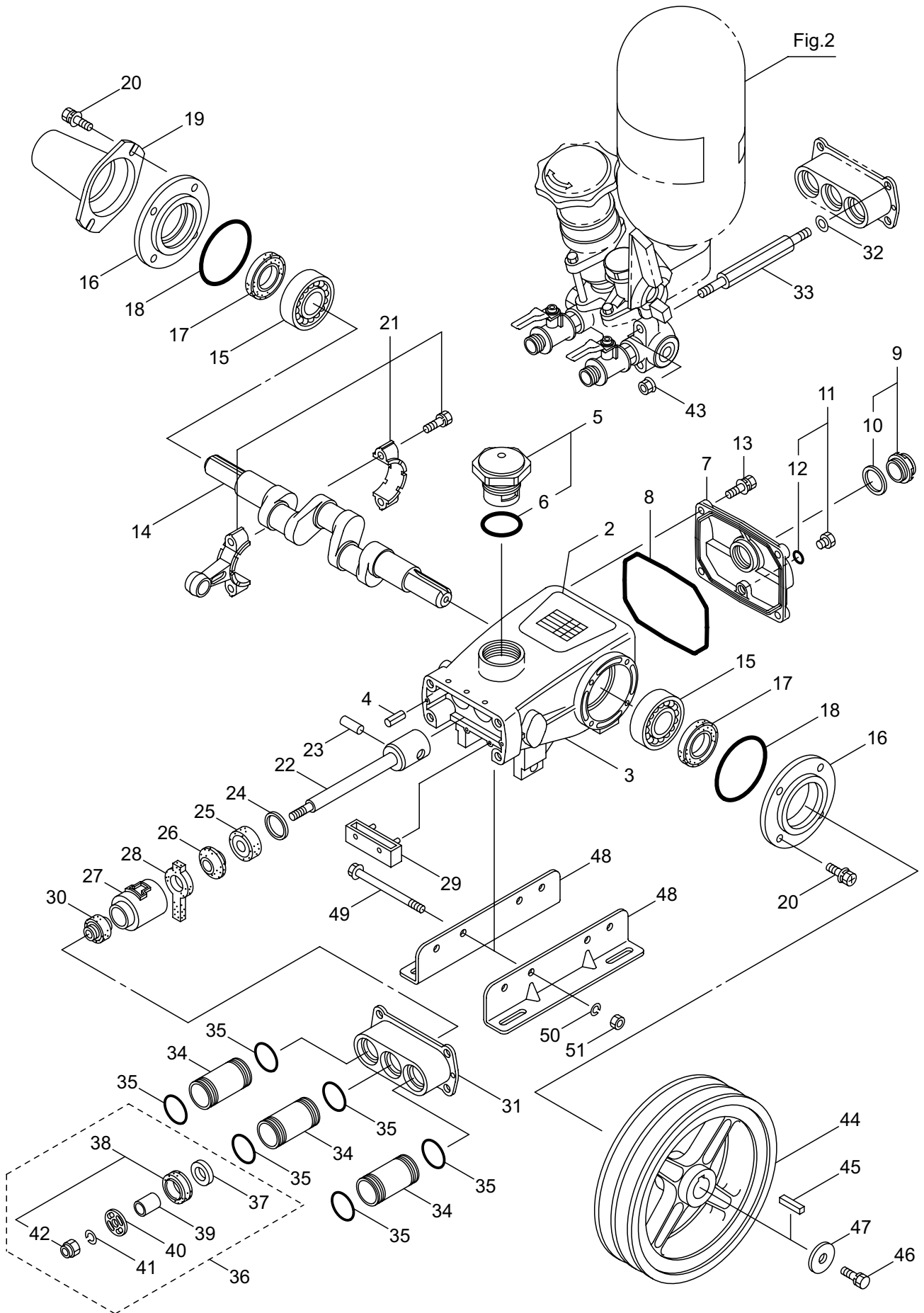
1. CRANKCASE, SUCTION VALVE



Ref. No.	Part No.	Part Name	Q'ty	Remarks
1-1	354233	MS657	1	
1-2	664523	Label	1	MS657
1-3	664432	Crankcase	1	
1-4	027488	Guide Pin	2	
1-5	091264	Oil Filler Cap	1	Incl.6
1-6	014177	O-Ring	1	P35
1-7	664482	Rear Cover, Crankcase	1	
1-8	014070	O-Ring	1	S150
1-9	092241	Oil Gauge Ass'y	1	Incl.10
1-10	044428	Packing	1	25x34xt2
1-11	091376	Drain Plug	1	Incl.12, G1/4
1-12	023170	O-Ring	1	P12.5
1-13	125824	Bolt	4	M6x16
1-14	028203	Crankshaft	1	
1-15	047080	Bearing	2	#6306
1-16	664462	Oil Seal Case	2	
1-17	027330	Oil Seal	2	D30458
1-18	026965	O-Ring,Oil Seal Case	2	71.7x1.6
1-19	108379	Shaft Protector	1	
1-20	125824	Bolt	8	M6x16
1-21	048733	Connecting Rod Ass'y	3	
1-22	120901	Piston Rod	3	
1-23	020251	Piston Pin	3	11X29L
1-24	126585	Washer	3	24x32xT1.2
1-25	027987	Oil Seal	3	S10.5 32 7
1-26	026853	Packing	3	
1-27	027341	Seal Retainer	3	
1-28	130517	Felt Packing	3	
1-29	027911	Oil Pan	1	
1-30	100015	Seal	3	
1-31	108383	Manifold,Inlet	1	
1-32	126593	Washer	4	10.5x15.5xt1.5
1-33	130494	Cylinder Bolt	4	M10x94x40.5x25
1-34	108384	Cylinder Pipe	3	28.5x36x50L
1-35	026969	O-Ring	6	31.3x2.65
1-36	632585	Inlet Valve Ass'y	3	Incl.37-42
1-37	026541	Inlet Valve Seat	3	7x25xt3.8
1-38	632588	Inlet Valve	3	Incl.42
1-39	027796	Collar	3	7x10x11.5L
1-40	120904	Piston Retainer	3	
1-41	015850	Spring Washer	3	M7
1-42	115598	Nut	3	M7
1-43	126567	Nut	4	M10
1-44	108408	V-pulley	1	229-Bx2
1-45	064203	Key	1	7x7x30L

MS657

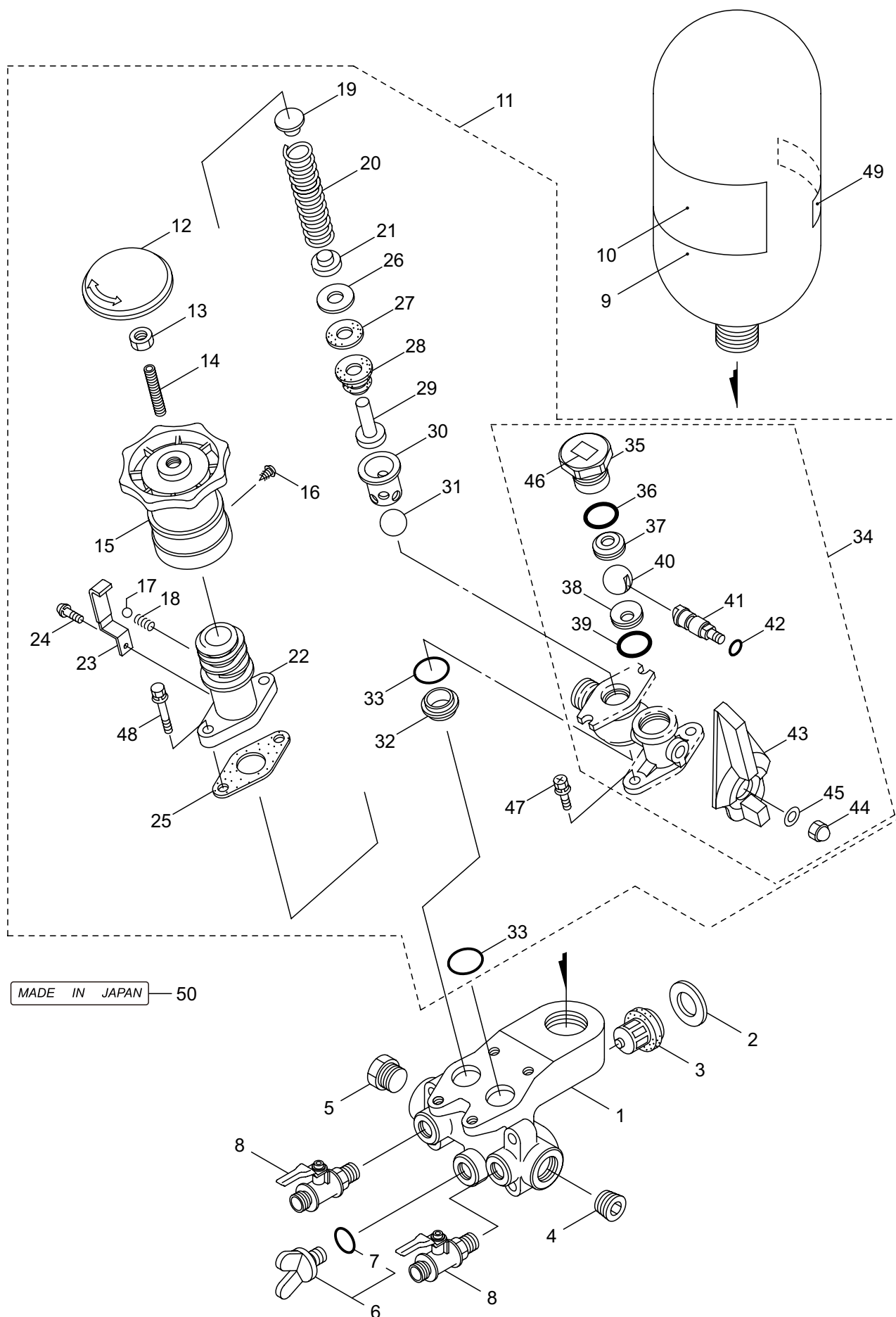
1. CRANKCASE, SUCTION VALVE





MS657

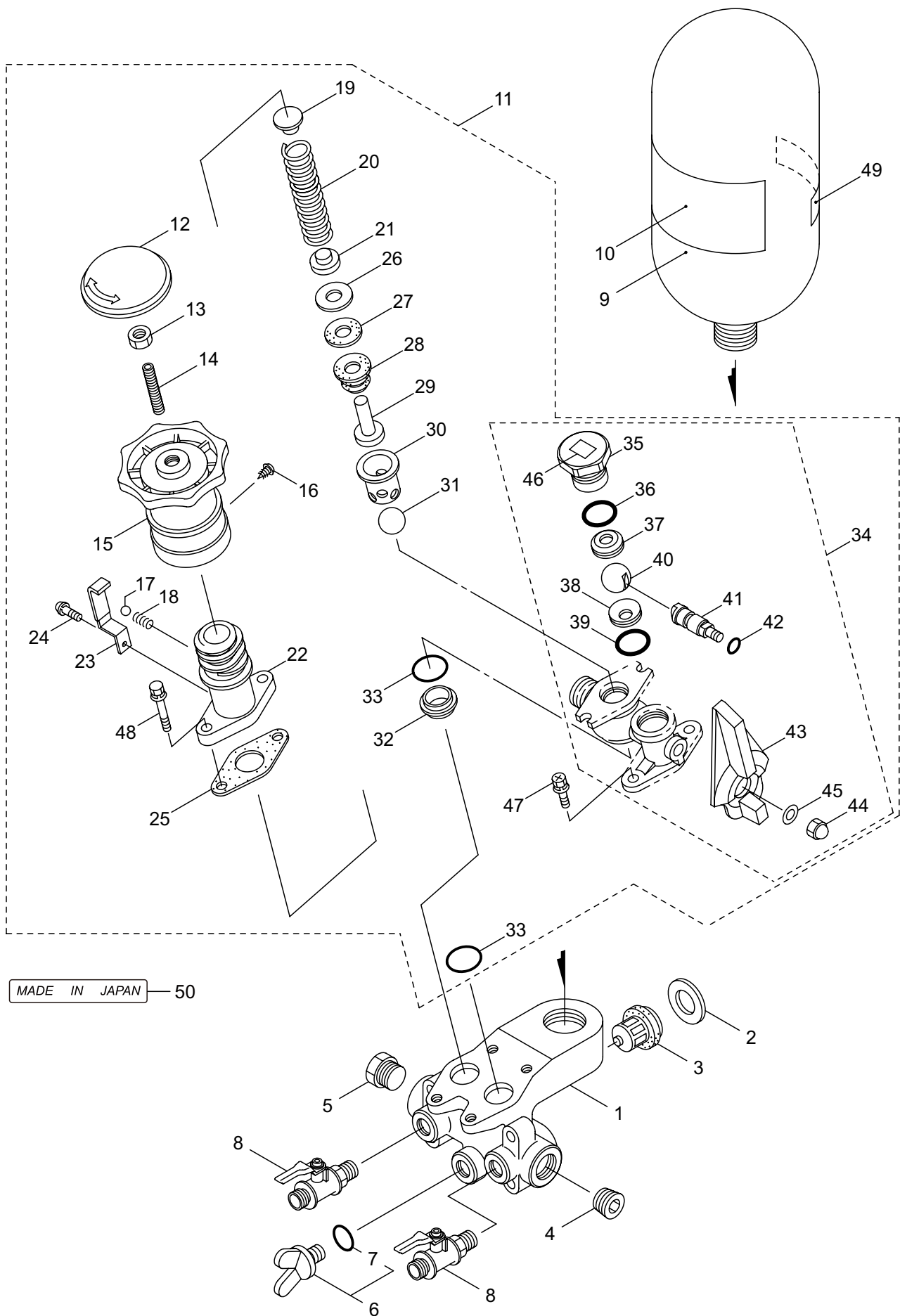
## 2. PURESSURE REGULATOR VALVE



Ref. No.	Part No.	Part Name	Q'ty	Remarks
2-1	120906	Discharge Manifold	1	
2-2	108406	Washer	3	21.5x36xt3
2-3	120236	Discharge Valve Ass'y	3	
2-4	130470	Plug	1	R3/4
2-5	108399	Plug	1	R3/4
2-6	632737	Plug Ass'y	1	Incl.7 G1/4
2-7	023170	O-Ring	1	P12.5
2-8	120835	Cock Ass'y	2	G3/8xR3/8
2-9	130442	Air Chamber	1	
2-10	664542	Label	1	Caution
2-11	664599	Pressure Regulator Valve Ass'y	1	Incl.12-48
2-12	662707	Cap	1	
2-13	126195	Nut	1	M10
2-14	120913	Screw	1	M10x35
2-15	663950	Grip	1	
2-16	089899	Tapping Screw	1	M4x13
2-17	011495	Valve Ball	1	1/4"
2-18	121221	Spring	1	
2-19	108402	Retainer(upper)	1	
2-20	120917	Spring	1	
2-21	120918	Retainer(lower)	1	
2-22	120919	Case	1	
2-23	121079	Plate	1	
2-24	816018	Screw	1	M4x0.7x8
2-25	122734	Packing	1	T0.5
2-26	120925	Washer	1	
2-27	120926	Bellows Packing	1	
2-28	120927	Bellows	1	
2-29	124191	Valve Rod	1	
2-30	124190	Retainer	1	
2-31	120931	Valve Ball	1	7/8"
2-32	120932	Valve Seat	1	
2-33	020285	O-Ring	2	P24
2-34	121015	By-pass Valve Ass'y	1	Incl.35-46
2-35	120933	Ball Retainer	1	
2-36	013975	O-Ring	1	S24
2-37	121692	Valve Seat	1	
2-38	121693	Valve Seat	1	
2-39	013970	O-Ring	1	S18
2-40	120934	Ball Valve	1	
2-41	120935	Ball Retainer	1	
2-42	025300	O-Ring	1	S6
2-43	121007	Handle	1	
2-44	100166	Nut	1	M5
2-45	012487	Washer	1	M5

MS657

## 2. PURESSURE REGULATOR VALVE







MS657  
3. ACCESSORIES

